



SPECIFICATION SHEET

LLSEN01 - TO FIT IN TO EXTRUSION

Suitable extrusion:

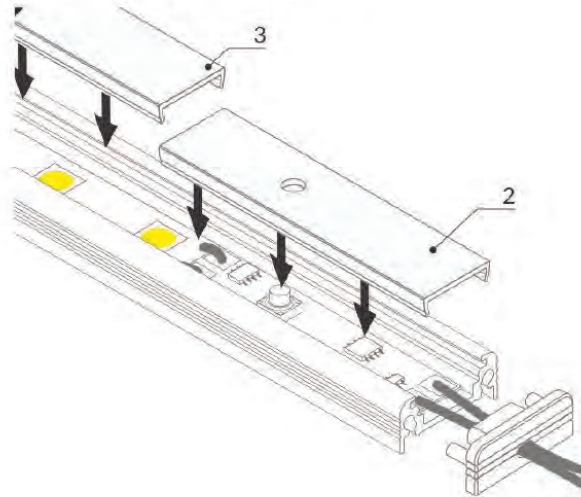
EXT-SL10 SURFACE / EXT-TR10 TRIO / EXT-CR10 CORNER

Operation:

SHORT PRESS - ON/OFF, LONG PRESS - DIMS UP/DOWN

VOLTAGE 12V - 24V

MAX WATTAGE 60W (12V) - 100W (24V)



LLSEN02 - HAND OPERATED FLUSH

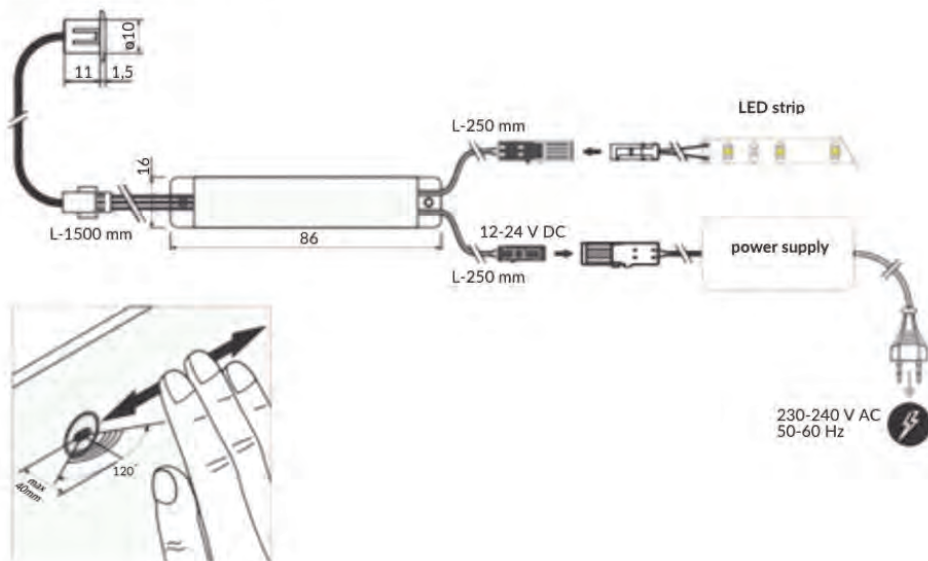
FLUSH MOUNTED HAND OPERATED SENSOR

Operation:

PASS YOUR HAND IN FRONT OF THE DETECTOR TO OPERATE ON/OFF

VOLTAGE 12V - 24V

MAX WATTAGE 30W





SPECIFICATION SHEET

LLSEN04 - DOOR SWITCH OPERATED

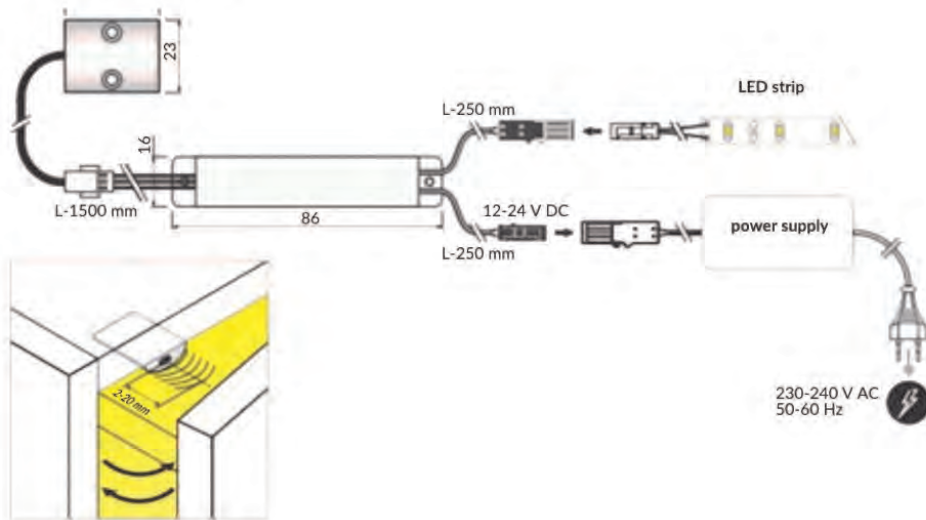
SURFACE MOUNTED DOOR OPERATED SWITCH

Operation:

SENSES THE APPROACHING DOOR TO OPERATE ON/OFF

VOLTAGE 12V - 24V

MAX WATTAGE 30W



LLSEN031 - TOUCH OPERATED FLUSH

FLUSH MOUNTED TOUCH SENSOR

Operation:

TOUCH THE SENSOR TO OPERATE ON/OFF

VOLTAGE 12V - 24V

MAX WATTAGE 30W

