

EXT-QTR10-PRODUCT GUIDE

CORNER PROFILE

- Quadrant illumination
- LED strip is aligned to a 45° angle
- Slick socket
- Maximum LED strip width:10mm

ledridge[®]
Bespoke as Standard





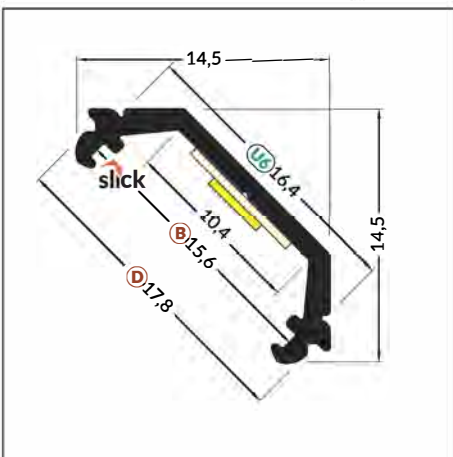
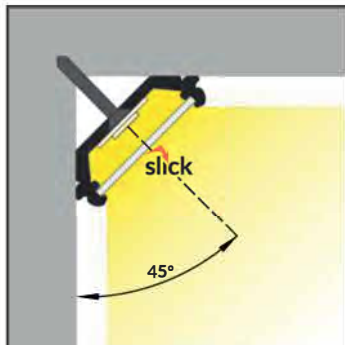
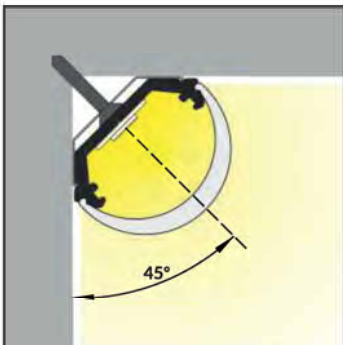
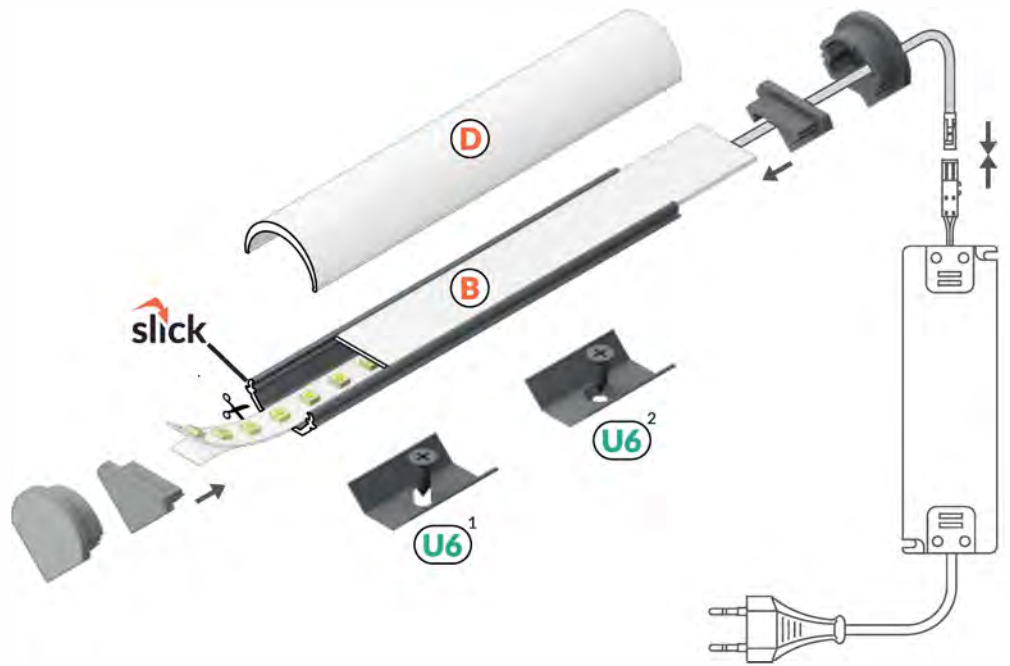
EXT-QTR10-PRODUCT GUIDE

B B slide cover

D D click cover

U6¹ U6 mounting plate

U6² cone U6 mounting plate

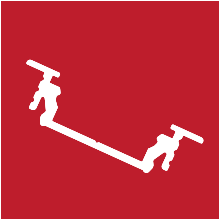


 anodized

Available lengths
1000 mm, 2000 mm

 max 10 mm

 corner



EXT-QTR10-PRODUCT GUIDE

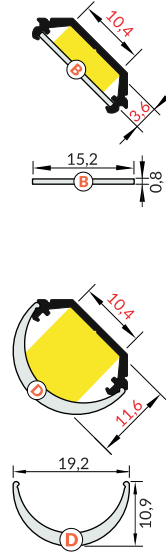
COVERS

B slide cover
colours: transparent, frosted, white
material: PC, PP, PP

D click cover
colour: white
material: PMMA



Note! Dimensions of the space to install LED source



B transparent

B frosted

B white

D white

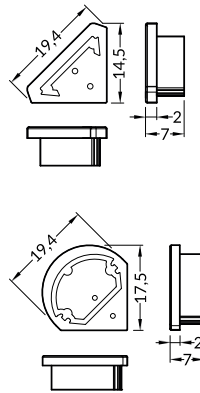
END CAPS

colours: silver, grey
material: ABS

colours: silver, grey
material: ABS



Ending with marked space to bore the holes.



silver

grey

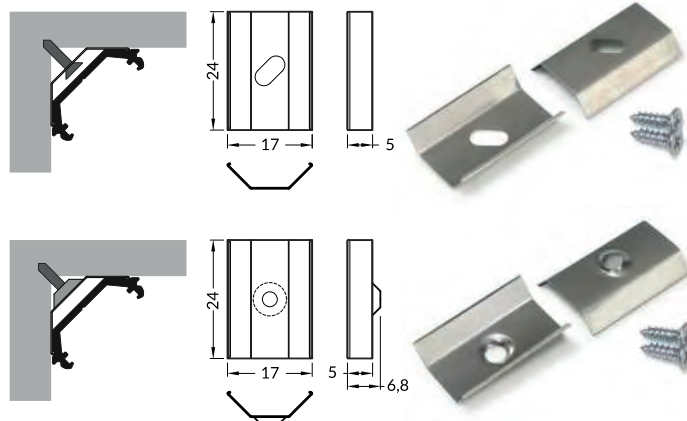
silver

grey

MOUNTINGS

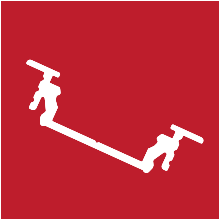
U6 mounting plate
material: stainless steel

cone **U6** mounting plate
material: stainless steel



U6 mounting plate

cone U6 mounting plate



EXT-QTR10-PRODUCT GUIDE

