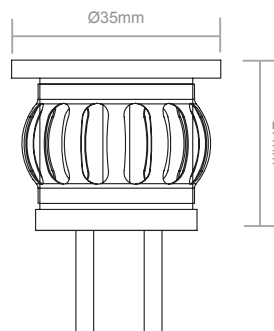




TECHNICAL SPECIFICATION



IP RATING	IP67
INPUT VOLTAGE	24V
WATTAGE	0.5W
BEAM ANGLE	120°
DIAMETER	Ø35mm
HEIGHT	27.5mm
WEIGHT	101g
CUT OUT	30mm
CLASS	CLASS III
LUMENS 2700K	10lm
LUMENS 3000K	10lm
LUMENS 4000K	10lm
LUMENS 6000K	10lm
MATERIAL	Stainless Steel 316
OPERATING TEMP.	-10° to 45°C
AVERAGE ILLUMINATION	30000 hours
WARRANTY	3 years
PART CODE	LLGL05-*



INSTALLATION

WARNING! Read this section before any installation work is carried out. All work should be carried out as per our instructions. Failure to do so may damage the unit and other products associated with it and void any warranty.

All work involving electrical components should be carried out by a competent qualified electrical professional in accordance to NICEIC and IET BS 7671 wiring regulations and any local by laws.

Ensure all mains power is turned off before starting any installation or maintenance; and remains off for the duration of installation or maintenance.

Waste electrical products should not be disposed of in domestic waste. Please check with your Local Authority or retailer for recycling advice.

IF IN DOUBT CONTACT US: 0116 246 1188

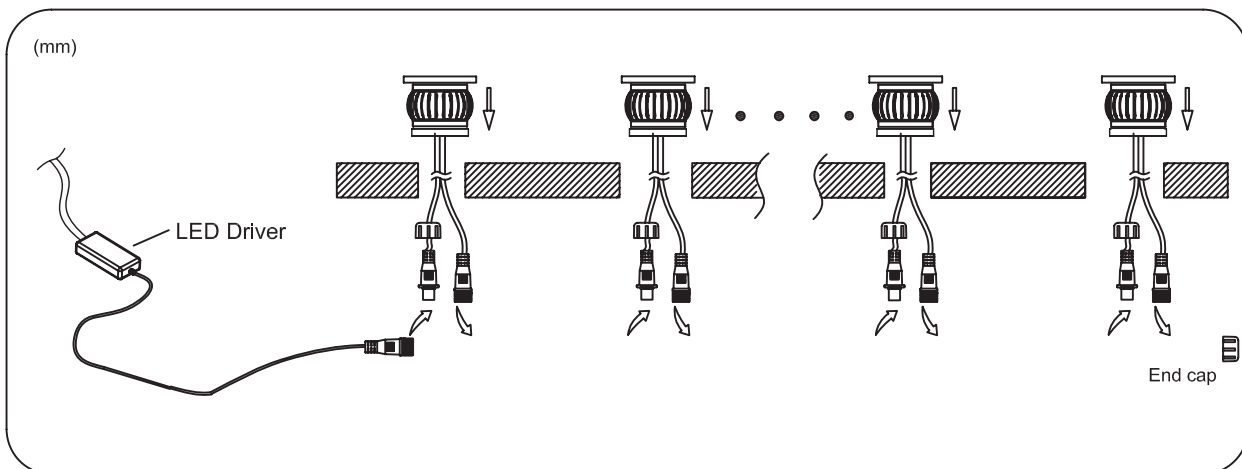
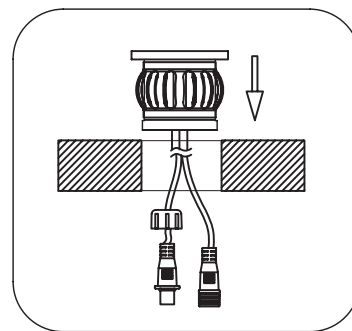
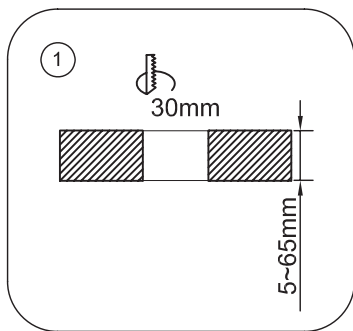
VOLTAGE, DRIVERS & MAXIMUM LOAD

This LED ground light must be used the a constant voltage LED driver with an output of 24V for white light fittings and 12V for RGB fittings. Using the incorrect output voltage may damage the LED.

The total output power of the LED driver should be greater than that of the total power of the LED ground lights you are illuminating. Overloading the drive may result in damage to the driver and the circuit cutting out.

Always ensure that the LED ground lights are connect to the driver before connecting the driver to power.

INSTALLING



LIMITED PRODUCT WARRANTY

This product is sold with a 3 year extended warranty, effective for 36 months from the date of purchase.

1.1 Subject to the conditions set out below the Seller (Ledridge Lighting) warrants that the Goods will correspond with their written specification (if any) at the time of delivery and will be free from material defects in materials and workmanship for a period as stated above from the date of purchase or for such longer period as the Seller (in its absolute discretion) may determine. The warranty does not apply to consumable items included with or in the product, which may have a reduced or no warranty period.

1.2 The warranty given in clause 1.1 above is given by the Seller strictly subject to the following conditions:

1.2.1 The Seller shall be under no liability in respect of any defect in the Goods arising from any drawing design specification or other information supplied by the Buyer or their agents.

1.2.2 The Seller shall be under no liability in respect of any defect arising from fair wear and tear, willful damage, negligence, abnormal working conditions or water damage where the product has limited or no water protection and installed in the incorrect environment, failure to follow the Seller's instructions (whether oral or written), misuse or alteration or repair of the goods without the Seller's approval.

1.2.3 The Seller shall be under no liability under the warranty given in 1.1 above (or any other warranty condition or guarantee) if the total price for the Goods has not been paid by the due date for payment.

1.2.4 The warranty given in 1.1 above does not extend to any Goods, parts, materials or equipment not manufactured by the Seller in respect of which the Buyer shall only be entitled to the benefit of any such warranty or guarantee as is given by the manufacturer thereof the Seller.

1.3 Any claim by the Buyer which is based on any defect in the quality or condition of the Goods shall be notified to the Seller within 7 days from the date of delivery of the Goods or within a reasonable time after discovery of the defect or failure. If delivery is not refused and the Buyer does not notify the Seller accordingly, the Buyer shall not be entitled to reject the Goods and the Seller shall have no liability for such defect or failure and the Buyer shall be bound to pay the price of the Goods.

1.4 Any repair, replacement or refund or any monies made by the Seller to the Buyer shall not under any circumstances be deemed to be an admission of any liability on the part of the Seller.

1.5 All liabilities of the Seller to the Buyer determined by the Court of Law as not having been excluded hereunder shall be limited in total to the total price of the Goods as shown on the Seller's invoice.

1.6 To obtain warranty service, the original proof of purchase will be required.

1. Lumen outputs are depicted at the maximum level during testing under optimal conditions. Actual levels may vary depending on a number of external factors outside of our control.
2. While we do our best to maintain colour consistency this may vary between batches. When ordering repeat items the item supplied may not be from the same batch as previous purchases and so may have slight variation in colour rendering. All purchases made at the same time will be supplied from the same batch.
3. Average illumination times are based on LED chip brightness reduction to 70% of the original brightness under optimal conditions. External factors, such as; but not limited to, heat may decrease illumination lifetime. Illumination time does not reflect the expected life span of the LED, which are covered by warranty.