



RGBW HAND HELD CONTROLLER

The M4 RGBW hand held LED controller works with radio frequency rather than infra red to allow for greater distance control of your LED up to 50 metres.

The remote features 12 modes for controlling RGBW LED as well as dimming and speed control.

With 4096 grey scale allowing for outstanding grayscale performance, the light is more gentle, dynamic changing modes become more rich and colourful.

Using the touch colour circle you can easily select static colours or use one of the 12 pre programmed settings too.

Supplied with a matching wall bracket for easy storage.

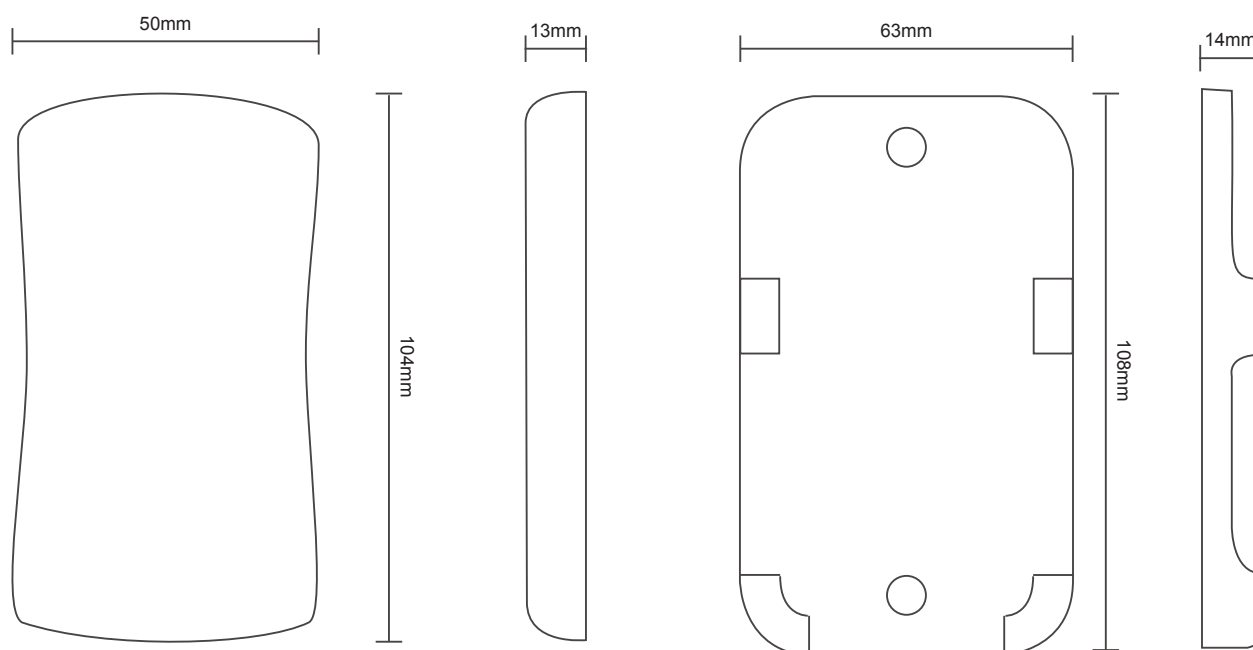
MAIN FEATURES & BENEFITS

- Complete with wall mountable bracket
- Wireless control of RGB or RGBW LED up to 50m
- Outstanding grayscale performance

TECHNICAL SPECIFICATION

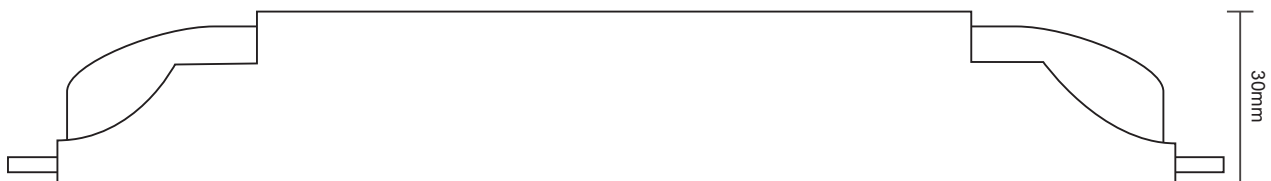
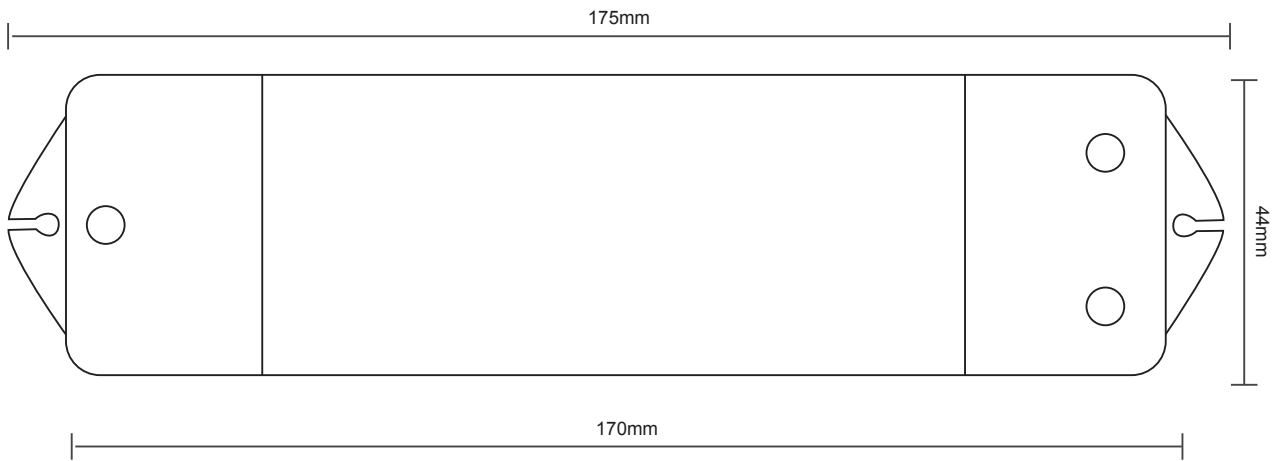


PART CODE	LLCONM4
DIMENSIONS	50 x 104 x 13mm
WEIGHT	42g
INPUT VOLTAGE	3V DC BATTERY
ZONES	1
RADIO CONTROL	YES (REQUIRES LLR4)
RF SIGNAL	433.92MHZ
RF DISTANCE	Up to 50m
STAND ALONE	YES
WALL MOUNT	YES
WORKING TEMPERATURE	-30°C TO 55°C
WARRANTY	2 Years





PART CODE	WIRELESS RECEIVER
DIMENSIONS	175 x 44 x 30mm
WEIGHT	125g
INPUT VOLTAGE	5 - 24V DC
MAXIMUM CURRENT LOAD	5AX4CH MAX 20A
MAXIMUM OUTPUT	12V 240W / 24V 480W
WORKING TEMPERATURE	-30°C TO 55°C
WARRANTY	2 Years



INSTALLATION

WARNING! Read this section before any installation work is carried out. All work should be carried out as per our instructions. Failure to do so may damage the unit and other products associated with it and void any warranty.

All work involving electrical components should be carried out by a competent qualified electrical professional in accordance to NICEIC and IET BS 7671 wiring regulations and any local by laws.

Ensure all mains power is turned off before starting any installation or maintenance; and remains off for the duration of installation or maintenance.

Waste electrical products should not be disposed of in domestic waste. Please check with your Local Authority or retailer for recycling advice.

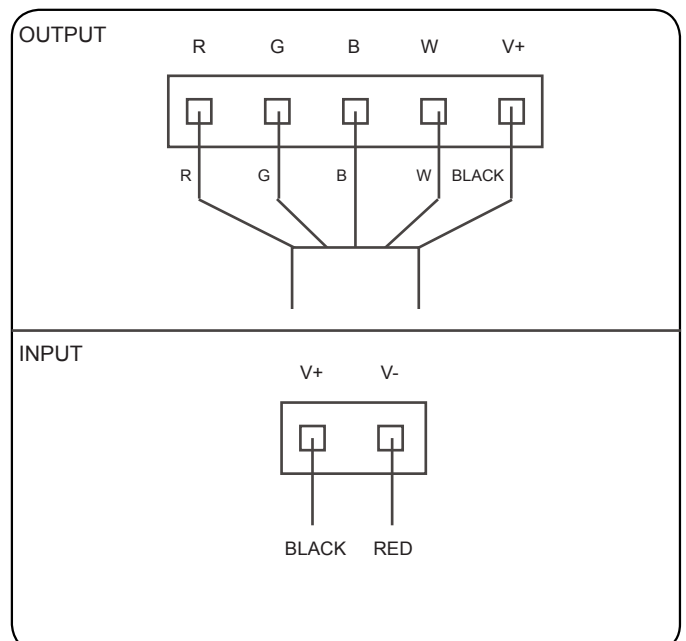
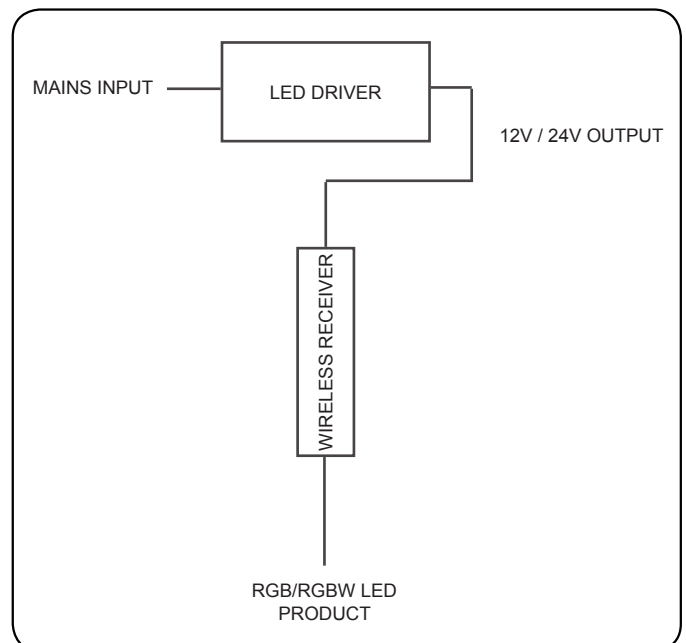
The controller is pre programmed to the Wireless receiver wireless receiver that is supplied. If you need to configure re-pair your controller then you can do this by following the operation instructions outlined later in the User Guide section.

1. Wire your LED product to the corresponding terminal of the output connect block of the Wireless receiver.
2. Wire your LED driver to the corresponding terminal of the input connector block of the Wireless receiver.
3. Connect the LED driver to the mains.

IF IN DOUBT CONTACT US: 0116 246 1188

We are only able to offer advice and installation instruction on our own products, we are unable to offer individual advice on other manufactures products. You are required and responsible for ensuring that the specification of this product is compatible with other products from other manufactures.

Please ensure that all products used in your installation are complete, correct and compatible before starting any installation. Failure to do so may result in damaged products, our warranty does not cover damage caused by or to any other manufactures products.



USER GUIDE

POWER

To turn on the controller touch the power button.
To turn off the controller touch the power button.

When not in use for 30 seconds the controller will go into standby, press any key to wake the controller.

+ AND - BUTTON

Pressing + will increase the speed of the colour change mode your are on.
Pressing - will decrease the speed of the colour change mode you are on.

When in static colour mode:

Pressing + will increase the brightness of the LED
Pressing - will decrease the brightness of the LED

TOUCH COLOUR WHEEL

Touch the colour wheel on the colour you wish to select.
Sliding your finger over the colour wheel will allow you to adjust the colour selection more accurately.

MODE BUTTON

Pressing the mode button will scroll through pre configured options.

Static Red > Static Green > Static Blue > Static Yellow > Static Purple > Static Cyan > Static White > RGB Skip > 7 Colour Skip > RGB Smooth > 7 Colour Smooth > NO RGB, white can be turned on off.



WHITE

Select when in mode 12 (No RGB) to use only white LED of RGBW.

Select when in any other mode will add white LED to your selected colour for pastel hue.

RE-PAIRING WITH WIRELESS RECEIVER

To pair the controller with an Wireless receiver press the ID Learning button on the Wireless receiver, this is located on the input side of the Wireless receiver and labeled ADDRESS SETTING. The LED indicator next to it should come on.

Press any key on the controller to pair the device. When paired the LED indicator will flash several times.

To cancel a pairing hold the ID Learning button for 5 seconds.



LIMITED PRODUCT WARRANTY

This product is sold with a 2 year standard warranty, effective for 24 months from the date of delivery.

1.1 Subject to the conditions set out below the Seller (Ledridge Lighting) warrants that the Goods will correspond with their written specification (if any) at the time of delivery and will be free from material defects in materials and workmanship for a period of 24 months from the date of delivery or for such longer period as the Seller (in its absolute discretion) may determine. The warranty does not apply to consumable items included with or in the product, which may have a reduced or no warranty period.

1.2 The warranty given in clause 1.1 above is given by the Seller strictly subject to the following conditions:

1.2.1 The Seller shall be under no liability in respect of any defect in the Goods arising from any drawing design specification or other information supplied by the Buyer or their agents.

1.2.2 The Seller shall be under no liability in respect of any defect arising from fair wear and tear, willful damage, negligence, abnormal working conditions or water damage, failure to follow the Seller's instructions (whether oral or written), misuse or alteration or repair of the goods without the Seller's approval.

1.2.3 The Seller shall be under no liability under the warranty given in 1.1 above (or any other warranty condition or guarantee) if the total price for the Goods has not been paid by the due date for payment.

1.2.4 The warranty given in 1.1 above does not extend to any Goods, parts, materials or equipment not manufactured by the Seller in respect of which the Buyer shall only be entitled to the benefit of any such warranty or guarantee as is given by the manufacturer thereof the Seller.

1.3 Any claim by the Buyer which is based on any defect in the quality or condition of the Goods shall be notified to the Seller within 7 days from the date of delivery of the Goods or within a reasonable time after discovery of the defect or failure. If delivery is not refused and the Buyer does not notify the Seller accordingly, the Buyer shall not be entitled to reject the Goods and the Seller shall have no liability for such defect or failure and the Buyer shall be bound to pay the price of the Goods.

1.4 Any repair, replacement or refund or any monies made by the Seller to the Buyer shall not under any circumstances be deemed to be an admission of any liability on the part of the Seller.

1.5 All liabilities of the Seller to the Buyer determined by the Court of Law as not having been excluded hereunder shall be limited in total to the total price of the Goods as shown on the Seller's invoice.

1.6 To obtain warranty service, the original proof of purchase will be required.