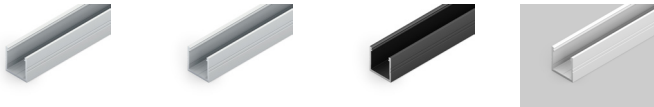
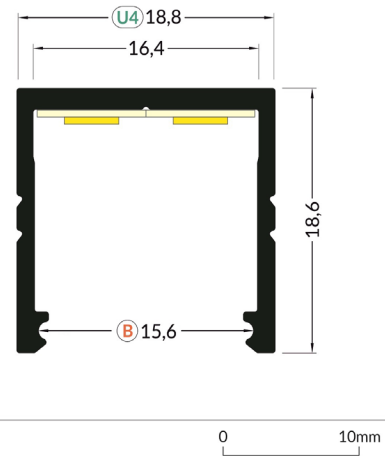


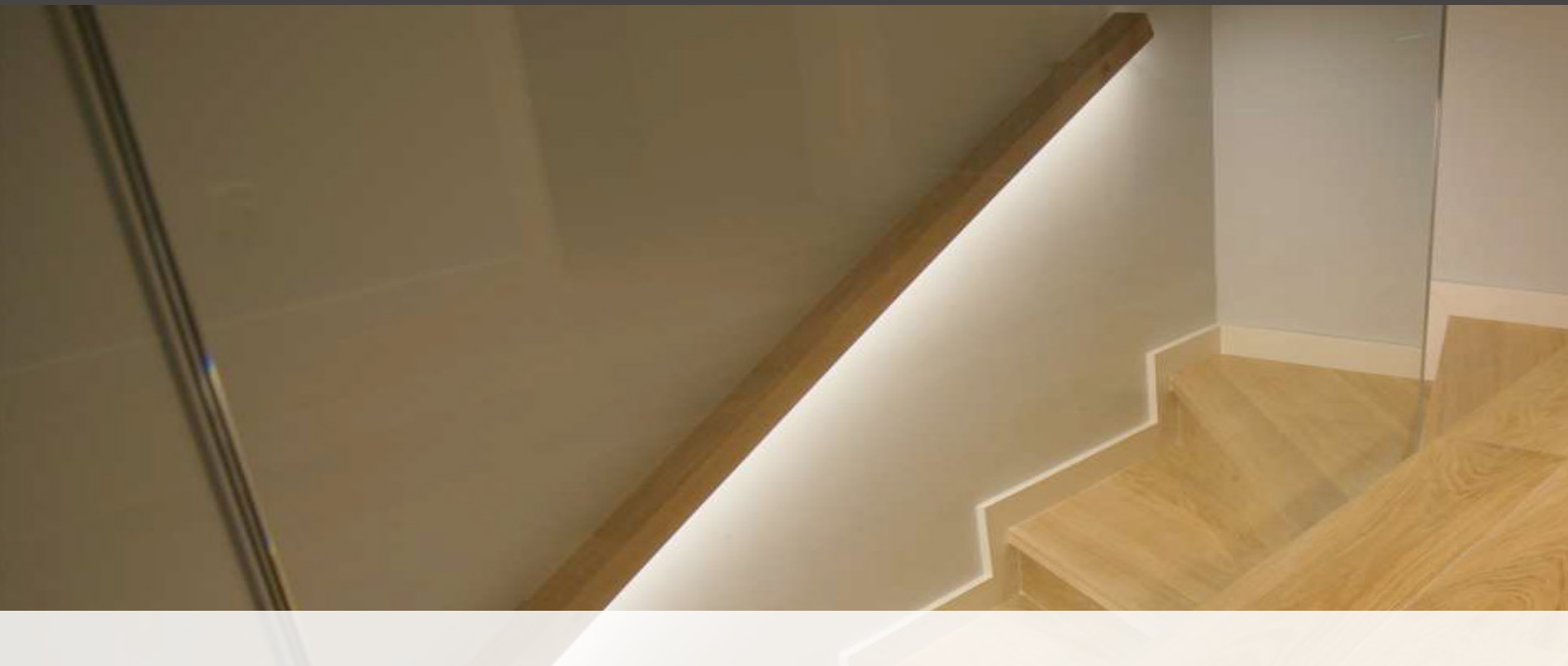


- Economical extrusion for LED strips up to 16mm in width
- Quick and easy to assemble with slide-in cover and clip-in fixing clips
- Excellent heat dissipation properties help to extend life of LED strip
- Creates a continuous line of light when used with LED96 or LED144HD LED strip and opal cover
- Available in raw, anodised, black and white finishes.



TECHNICAL SPECIFICATION

FINISH	Raw	Anodised	Black	White
PARTCODE	EXT-SL16-R2M	EXT-SL16-A2M	EXT-SL16-B2M	EXT-SL16-W2M
HEIGHT	18.6mm	18.6mm	18.6mm	18.6mm
WIDTH	18.8mm	18.8mm	18.8mm	18.8mm
INTERNAL WIDTH	16.4mm	16.4mm	16.4mm	16.4mm
MAX TAPE WIDTH	16mm	16mm	16mm	16mm
LENGTH	2m	2m	2m	2m
MATERIAL	Aluminium	Aluminium	Aluminium	Aluminium
COMPATIBLE DIFFUSER	CVR- B	CVR- B	CVR- B	CVR- B
COMPATIBLE FIXING CLIPS	FC-U	FC-U	FC-U	FC-U



DIFFUSER

FINISH	Opaque	Frosted	Transparent
PARTCODE	CVR-B-O2M	CVR-B-F2M	CVR-B-T2M
HEIGHT	0.8mm	0.8mm	0.8mm
WIDTH	15.2mm	15.2mm	15.2mm
FIXING TYPE	Slide	Slide	Slide
MATERIAL	PET	PP	PC

END CAPS

FINISH	Grey	Silver	Black	White
PARTCODE	EC-SL16-G	EC-SL16-S	EC-SL16-B	EC-SL16-W
HEIGHT	18.6mm	18.6mm	18.6mm	18.6mm
WIDTH	18.8mm	18.8mm	18.8mm	18.8mm
DEPTH	7mm	7mm	7mm	7mm
MATERIAL	ABS	ABS	ABS	ABS

FIXING CLIPS

FINISH	Inox	Black	White
PARTCODE	FC-U	FC-U	FC-U
LENGTH	25mm	25mm	25mm
WIDTH	20mm	20mm	20mm
MATERIAL	Stainless Steel	Stainless Steel	Stainless Steel

LIMITED PRODUCT WARRANTY

This product is sold with a 3 year standard warranty, effective for 36 months from the date of delivery.

1.1 Subject to the conditions set out below the Seller (Ledridge Lighting) warrants that the Goods will correspond with their written specification (if any) at the time of delivery and will be free from material defects in materials and workmanship for a period of 24 months from the date of delivery or for such longer period as the Seller (in its absolute discretion) may determine. The warranty does not apply to consumable items or accessories included with or in the product, which may have a reduced or no warranty period.

1.2 The warranty given in clause 1.1 above is given by the Seller strictly subject to the following conditions:

1.2.1 The Seller shall be under no liability in respect of any defect in the Goods arising from any drawing design specification or other information supplied by the Buyer or their agents.

1.2.2 The Seller shall be under no liability in respect of any defect arising from fair wear and tear, willful damage, negligence, abnormal working conditions, water damage, corrosion, failure to follow the Seller's instructions (whether oral or written), misuse or alteration or repair of the goods without the Seller's approval.

1.2.3 The Seller shall be under no liability under the warranty given in 1.1 above (or any other warranty condition or guarantee) if the total price for the Goods has not been paid by the due date for payment.

1.2.4 The warranty given in 1.1 above does not extend to any Goods, parts, materials or equipment not manufactured by the Seller in respect of which the Buyer shall only be entitled to the benefit of any such warranty or guarantee as is given by the manufacturer thereof the Seller.

1.3 Any claim by the Buyer which is based on any defect in the quality or condition of the Goods shall be notified to the Seller within 7 days from the date of delivery of the Goods or within a reasonable time after discovery of the defect or failure. If delivery is not refused and the Buyer does not notify the Seller accordingly, the Buyer shall not be entitled to reject the Goods and the Seller shall have no liability for such defect or failure and the Buyer shall be bound to pay the price of the Goods.

1.4 Any repair, replacement or refund or any monies made by the Seller to the Buyer shall not under any circumstances be deemed to be an admission of any liability on the part of the Seller.

1.5 All liabilities of the Seller to the Buyer determined by the Court of Law as not having been excluded hereunder shall be limited in total to the total price of the Goods as shown on the Seller's invoice.

1.6 To obtain warranty service, the original proof of purchase will be required.