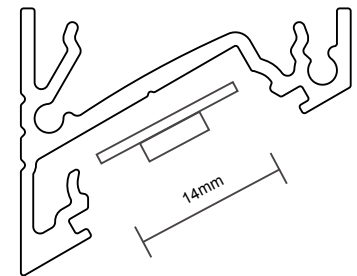
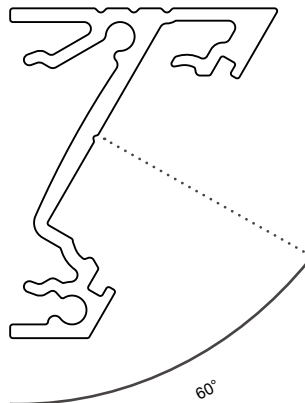
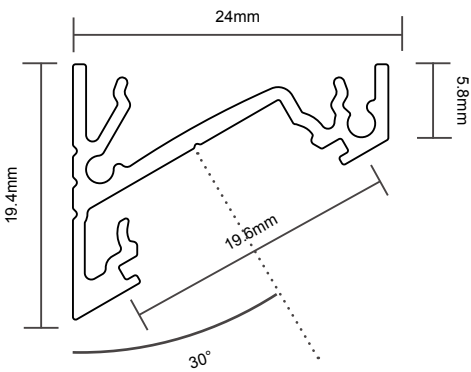




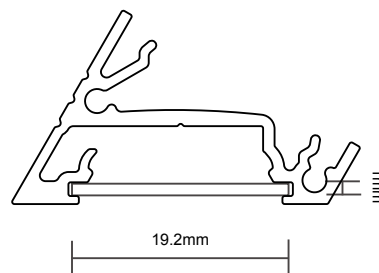
TECHNICAL SPECIFICATION

FINISH	Anodised	Raw	Black	White
PARTCODE	EXT-CR14-A	EXT-CR14-R	EXT-CR14-B	EXT-CR14-W
HEIGHT	19.4mm	19.4mm	19.4mm	19.4mm
WIDTH	24mm	24mm	24mm	24mm
INTERNAL WIDTH	14.4mm	14.4mm	14.4mm	14.4mm
MAX TAPE WIDTH	14mm	14mm	14mm	14mm
LENGTH	1m / 2m	1m / 2m	1m / 2m	1m / 2m
MATERIAL	Anodised Aluminium	Raw Aluminium	Anodised Aluminium	Anodised Aluminium
COMPATIBLE DIFFUSER	E, F	E, F	E, F	E, F
COMPATIBLE FIXING CLIPS	T, Y	T, Y	T, Y	T, Y
WARRANTY	3 years	3 years	3 years	3 years



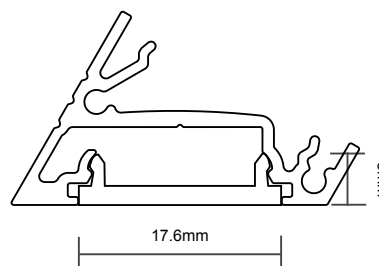
DIFFUSER TYPE E

FINISH	Opaque	Frosted	Transparent
PARTCODE	CVR-E-O	CVR-E-F	CVR-E-T
HEIGHT	1mm	1mm	1mm
WIDTH	19.2mm	19.2mm	19.2mm
FIXING TYPE	Slide	Slide	Slide
MATERIAL	PET	PP	PC



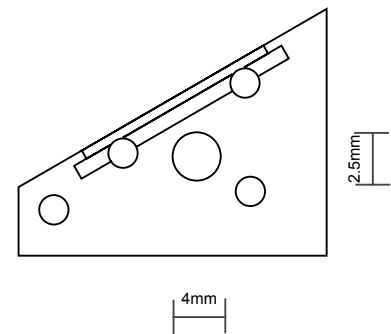
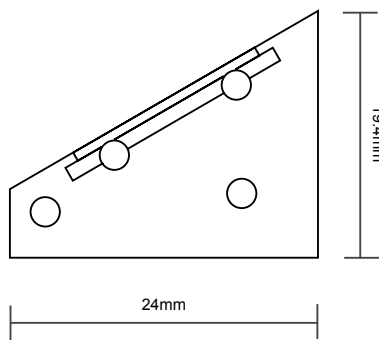
DIFFUSER TYPE F

FINISH	Opaque	Frosted	Transparent
PARTCODE	CVR-C-O	CVR-C-F	CVR-C-T
HEIGHT	5mm	5mm	5mm
WIDTH	17.6mm	17.6mm	17.6mm
FIXING TYPE	Click	Click	Click
MATERIAL	PET	PP	PC



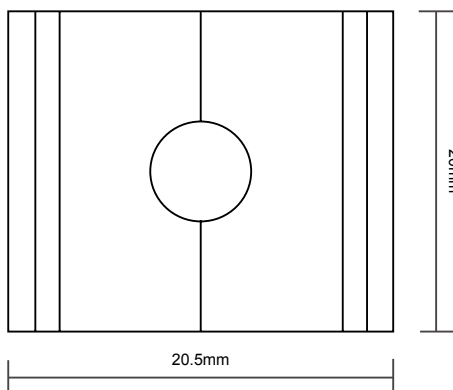
END CAPS

	Without Hole				Width Hole			
FINISH	Grey	Silver	Black	White	Grey	Silver	Black	White
PARTCODE	EC-CR14-G	EC-CR14-S	EC-CR14-B	EC-CR14-W				
HEIGHT	19.4mm	19.4mm	19.4mm	19.4mm	19.4mm	19.4mm	19.4mm	19.4mm
WIDTH	24mm	24mm	24mm	24mm	24mm	24mm	24mm	24mm
DEPTH	10mm	10mm	10mm	10mm	10mm	10mm	10mm	10mm
MATERIAL	ABS	ABS	ABS	ABS	ABS	ABS	ABS	ABS



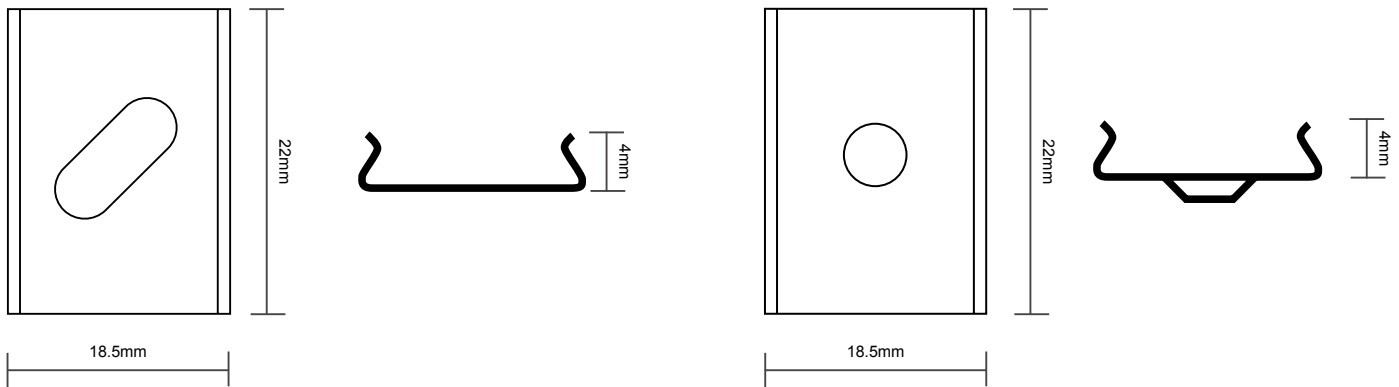
FIXING CLIPS - T Type

FINISH	Inox	Black	White
PARTCODE			
HEIGHT	3.8mm	3.8mm	3.8mm
WIDTH	20.5mm	20.5mm	20.5mm
TYPE	Flat	Flat	Flat
MATERIAL	Stainless Steel	Stainless Steel	Stainless Steel



FIXING CLIPS - Y Type

FINISH	Inox	Black	White	Inox	Black	White
PARTCODE						
HEIGHT	5.5mm	5.5mm	5.5mm	5.5mm	5.5mm	5.5mm
WIDTH	12.8mm	12.8mm	12.8mm	12.8mm	12.8mm	12.8mm
TYPE	Flat	Flat	Flat	Coned	Coned	Coned
MATERIAL	Stainless Steel	Stainless Steel	Stainless Steel	Stainless Steel	Stainless Steel	Stainless Steel



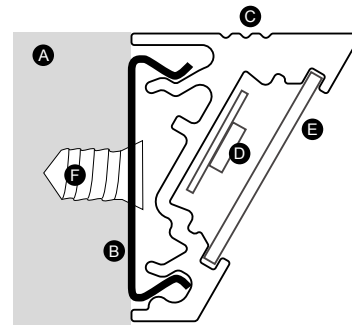
INSTALLATION

It is recommended to use 1 fixing clip every 500mm with a minimum of 2 fixing clips per length.

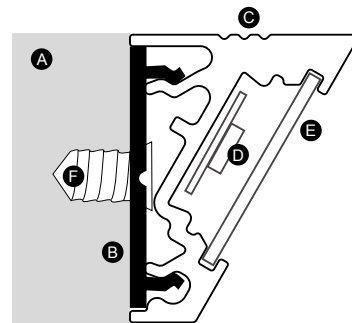
1. Attach the LED tape to the extrusion.
2. Attach the diffuser cover.
3. Using a screw driver secure the fixing clip to the mounting surface. If you are using the cone fixing clip you will need to make a recess in your mounting surface for the cone to sit in.
4. Click the extrusion into the fixing clips.
5. Connect the end caps, if you are using end caps with holes, pass the fly leads of your LED tape through them.

- A** Mounting surface
- B** Fixing clip
- C** Extrusion
- D** LED tape
- E** Diffuser cover
- F** Screw

U Flat Fixing Clip



X Fixing Clip



LIMITED PRODUCT WARRANTY

This product is sold with a 3 year standard warranty, effective for 36 months from the date of delivery.

1.1 Subject to the conditions set out below the Seller (Ledridge Lighting) warrants that the Goods will correspond with their written specification (if any) at the time of delivery and will be free from material defects in materials and workmanship for a period of 24 months from the date of delivery or for such longer period as the Seller (in its absolute discretion) may determine. The warranty does not apply to consumable items or accessories included with or in the product, which may have a reduced or no warranty period.

1.2 The warranty given in clause 1.1 above is given by the Seller strictly subject to the following conditions:

1.2.1 The Seller shall be under no liability in respect of any defect in the Goods arising from any drawing design specification or other information supplied by the Buyer or their agents.

1.2.2 The Seller shall be under no liability in respect of any defect arising from fair wear and tear, willful damage, negligence, abnormal working conditions, water damage, corrosion, failure to follow the Seller's instructions (whether oral or written), misuse or alteration or repair of the goods without the Seller's approval.

1.2.3 The Seller shall be under no liability under the warranty given in 1.1 above (or any other warranty condition or guarantee) if the total price for the Goods has not been paid by the due date for payment.

1.2.4 The warranty given in 1.1 above does not extend to any Goods, parts, materials or equipment not manufactured by the Seller in respect of which the Buyer shall only be entitled to the benefit of any such warranty or guarantee as is given by the manufacturer thereof the Seller.

1.3 Any claim by the Buyer which is based on any defect in the quality or condition of the Goods shall be notified to the Seller within 7 days from the date of delivery of the Goods or within a reasonable time after discovery of the defect or failure. If delivery is not refused and the Buyer does not notify the Seller accordingly, the Buyer shall not be entitled to reject the Goods and the Seller shall have no liability for such defect or failure and the Buyer shall be bound to pay the price of the Goods.

1.4 Any repair, replacement or refund or any monies made by the Seller to the Buyer shall not under any circumstances be deemed to be an admission of any liability on the part of the Seller.

1.5 All liabilities of the Seller to the Buyer determined by the Court of Law as not having been excluded hereunder shall be limited in total to the total price of the Goods as shown on the Seller's invoice.

1.6 To obtain warranty service, the original proof of purchase will be required.